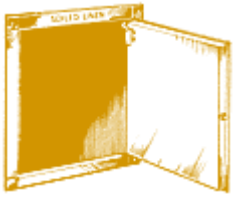




**WESTERN CHUTES**

BULLETIN 14560-004

# Western Chutes "W" Series Chute Intake Door Sizing For NFPA #82 Compliance





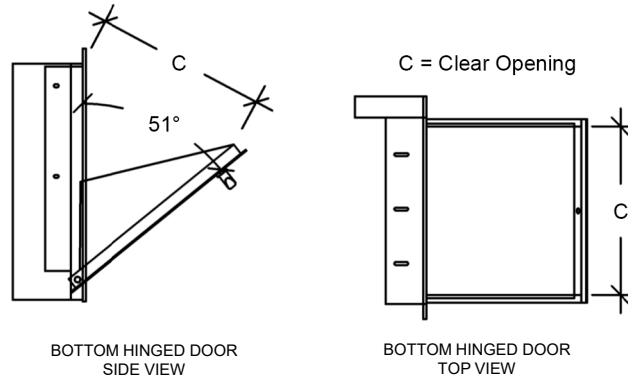
This document explains how Western Chutes "W" Series Chute Intake Doors follows the compliance specifications of NFPA #82. Reference specifications for both side-hinged, and bottom-hinged chute intake doors presented for each available size, for both trash and linen chutes, and includes the clear opening for each.

The purpose of the documents is to explain the clear opening size of an intake door versus the nominal manufactures size (door face). All Western Chutes intake doors are available in a fully ADA compliant hand-operated configuration, without requiring push-button automated systems.

This document was created by Jim Buchanan, CEO of Western Chutes and Buchanan Company, and an NFPA #82 Committee Member.

# INTAKE DOOR SIZING

BOTTOM HINGED INTAKE DOORS	
Nominal	Clear Opening
12" x 15"	11" x 11" (121")
15" x 18"	14" x 14" (196")
18" x 18"	17" x 14" (238")
21" x 18"	20" x 14" (280")
24" x 24" **	23" x 19" (437")



**FROM NFPA #82, 2019**

6.2.3.3	<b>Chute Intake Doors.</b>
6.2.3.3.1	<b>General Access Gravity Waste Chutes.</b>
6.2.3.3.1.4	The area of each chute intake door shall be limited to one-third of the cross-sectional area of a square chute and 44 percent of the area of a round chute.
6.2.3.3.2	<b>Limited-Access Gravity Chutes</b> (Requires the chute intakes are accessible through a normally locked vestibule entrance door)
6.2.3.3.2.5	The area of each waste chute intake door shall be limited to two-thirds of the cross-sectional area of the chute.
6.2.3.3.2.6	The area of each linen chute intake door shall not exceed the cross-sectional area of the chute.

SIDE HINGED INTAKE DOORS	
Nominal	Clear Opening
12" x 12"	11" X 11" (121")
15" x 15"	14" x 14" (196")
18" x 18"	17" x 17" (289")
21" x 21"	20" x 20" (400")
24" x 24" **	23" x 23" (529")

Chute Diameter	Cross-Sectional Area of Chute	General Access Waste Nominal Door Max Size @ 44%	Limited Access Waste Nominal Door Max Size @ 66%	Limited Access Linen Nominal Door Max Size 100%
18"	255" sq.	12" x 15" BH (132>112) *	12" x 15" BH (132>168)	15" x 15" SH (196<255)
20"	314" sq.	12" x 15" BH (132<138)	15" x 18" BH (196<207)	18" x 18" SH (289<314)
24"	452" sq.	15" x 18" BH (196<199)	21" x 18" BH (280<299)	21" x 21" SH (400<452)
28"	616" sq.	18" x 18" BH (238<271)	21" x 21" SH (400<452) 24" x 24" BH (391<406)**	21" x 21" SH (400<452) 24" x 24" SH (529<616)**
30"	707" sq.	21" x 18" BH (280<311) **	21" x 21" SH (400<452) 24" x 24" BH (391<424)**	21" x 21" SH (400<452) 24" x 24" SH (529<707)**
36"	1,018" sq.	21" x 21" SH (400<452) 24" x 24" BH (391<448)	21" x 21" SH (400<452) 24" x 24" BH (391<672)**	21" x 21" SH (400<452) 24" x 24" SH (529<1018)**

\* Door opening can be restricted to allow use. \*\* Not recommended for residential use.  
 BH = Bottom Hinged (51° Opening) Intake Door SH = Side Hinged (180° Full Opening) Intake Door  
 (nnn1<nnn2) nnn1 = The Clear Door Opening Size & nnn2 = The Maximum Allowed Clear Opening Size



**NOTE:**

Limited access is best achieved via building key to vestibule, not locks on chute doors. All intake doors are available in a hand operated ADA compliant configuration. Intake doors above are listed as the manufacturers' nominal size, representing the face of the door panel. NFPA #82 Recommendations are based upon the door clear opening size. The bottom-hinged intake doors listed above open only 51°. The opening is further restricted by the 1" thickness of the door panel, that the actual panel size is smaller than the door face, and that the door frame has a jamb/stops inside further restricting the opening. 24" x 24" Intake door is not recommended for public use.



## **WESTERN CHUTES®**

CHUTE, COMPACTOR, & RECYCLING SYSTEMS



5500 Bolsa Ave #200, Huntington Beach, CA 92649



sales@westernchutes.com | info@westernchutes.com  
www.westernchutes.com



1-800-755-2488



© Copyright 2020 Western Chutes® - A BUCHANAN COMPANY®  
California License #767939, Arizona License #ROC149925